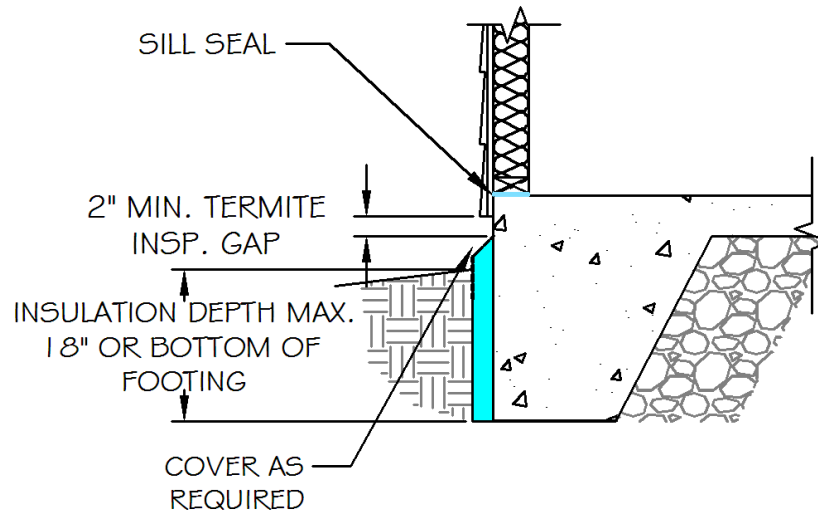


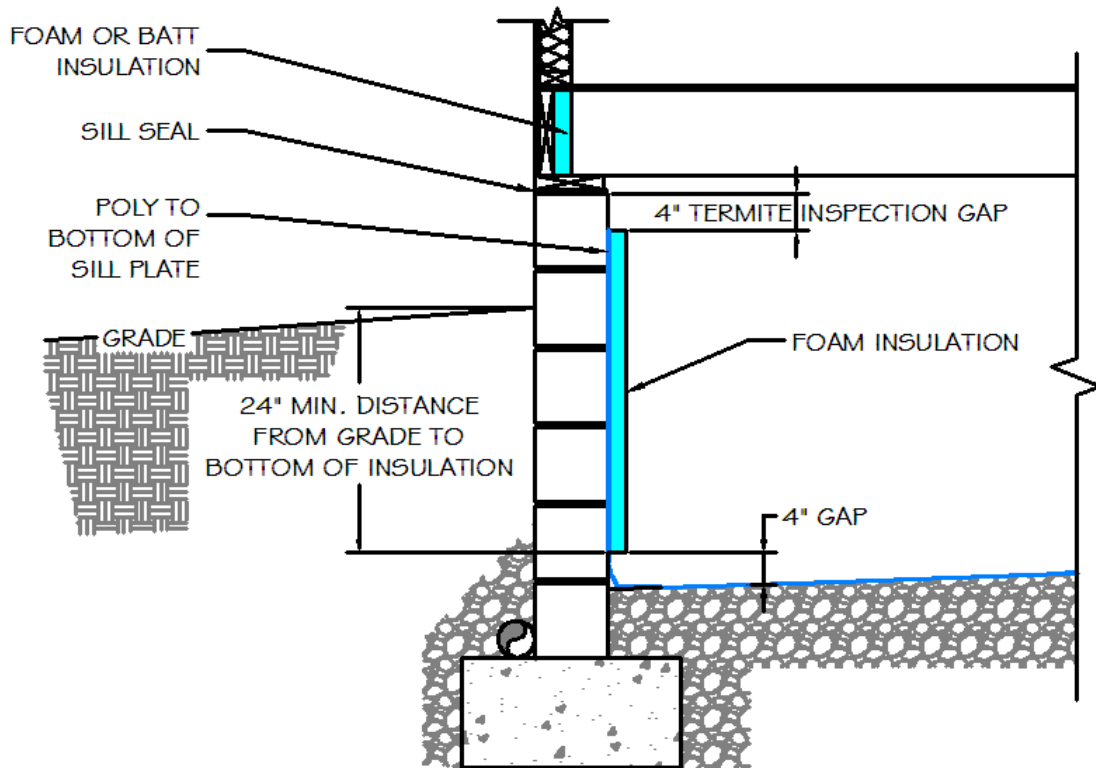
1. Foundation Details

1.1 Insulated Slab Edge



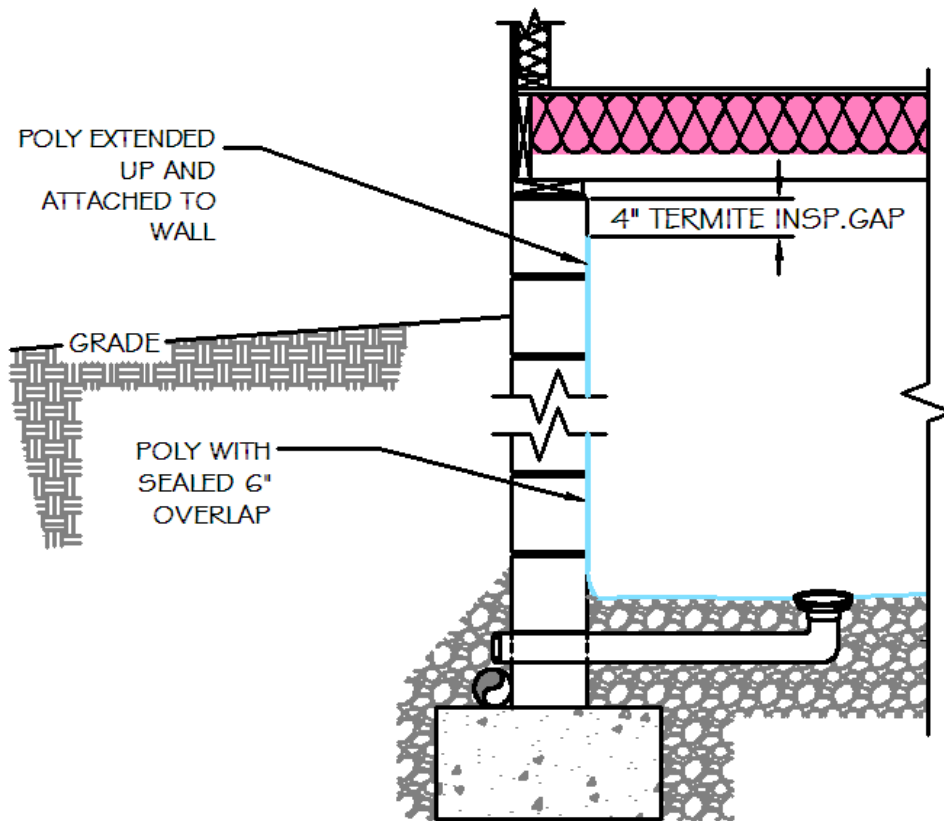
DISCLAIMER: This material was prepared by North Carolina Energy Efficiency Alliance, a nonprofit organization. Neither the NCEEA, its member organizations, the acknowledged individuals, nor any person acting on behalf of them: (a) makes any warranty, express or implied, with respect to the use of any information, apparatus, method or process disclosed in this publication that such use may not infringe privately owned rights; or (b) assumes any liability with respect to the use of, or for direct or consequential damages resulting from the use of, any information, apparatus, method or process disclosed in this publication; or (c) has any liability for damages that result from any negligent act or omission involved in the preparation of the material. Any implied warranty of merchantability or fitness for a particular use is specifically excluded.

1.2 Sealed Crawlspace



DISCLAIMER: This material was prepared by North Carolina Energy Efficiency Alliance, a nonprofit organization. Neither the NCEEA, its member organizations, the acknowledged individuals, nor any person acting on behalf of them: (a) makes any warranty, express or implied, with respect to the use of any information, apparatus, method or process disclosed in this publication that such use may not infringe privately owned rights; or (b) assumes any liability with respect to the use of, or for direct or consequential damages resulting from the use of, any information, apparatus, method or process disclosed in this publication; or (c) has any liability for damages that result from any negligent act or omission involved in the preparation of the material. Any implied warranty of merchantability or fitness for a particular use is specifically excluded.

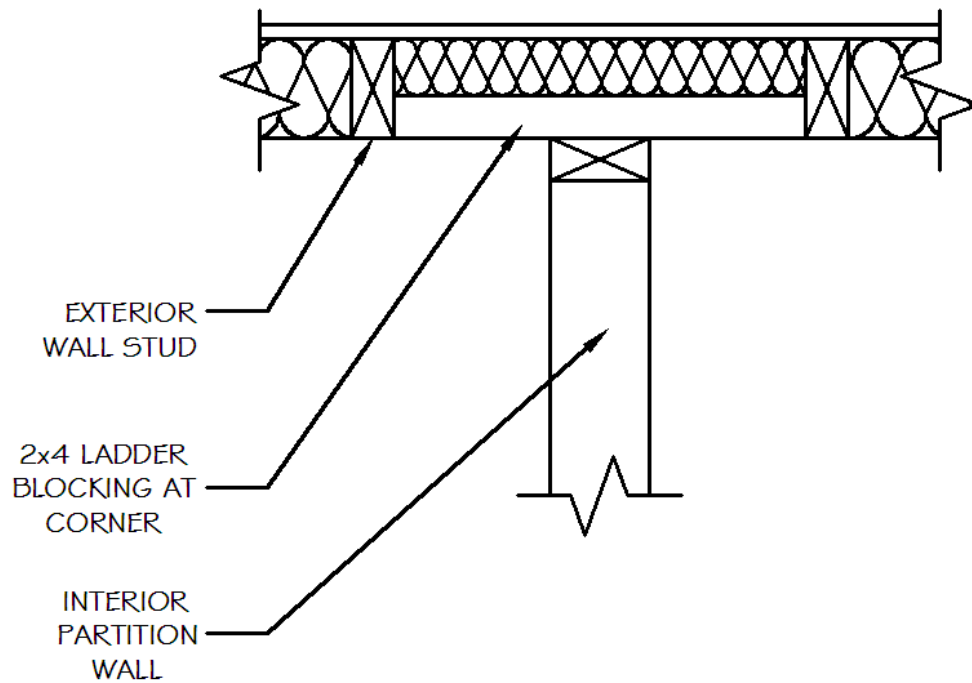
1.2 Sealed Crawlspace Insulate Floor



DISCLAIMER: This material was prepared by North Carolina Energy Efficiency Alliance, a nonprofit organization. Neither the NCEEA, its member organizations, the acknowledged individuals, nor any person acting on behalf of them: (a) makes any warranty, express or implied, with respect to the use of any information, apparatus, method or process disclosed in this publication that such use may not infringe privately owned rights; or (b) assumes any liability with respect to the use of, or for direct or consequential damages resulting from the use of, any information, apparatus, method or process disclosed in this publication; or (c) has any liability for damages that result from any negligent act or omission involved in the preparation of the material. Any implied warranty of merchantability or fitness for a particular use is specifically excluded.

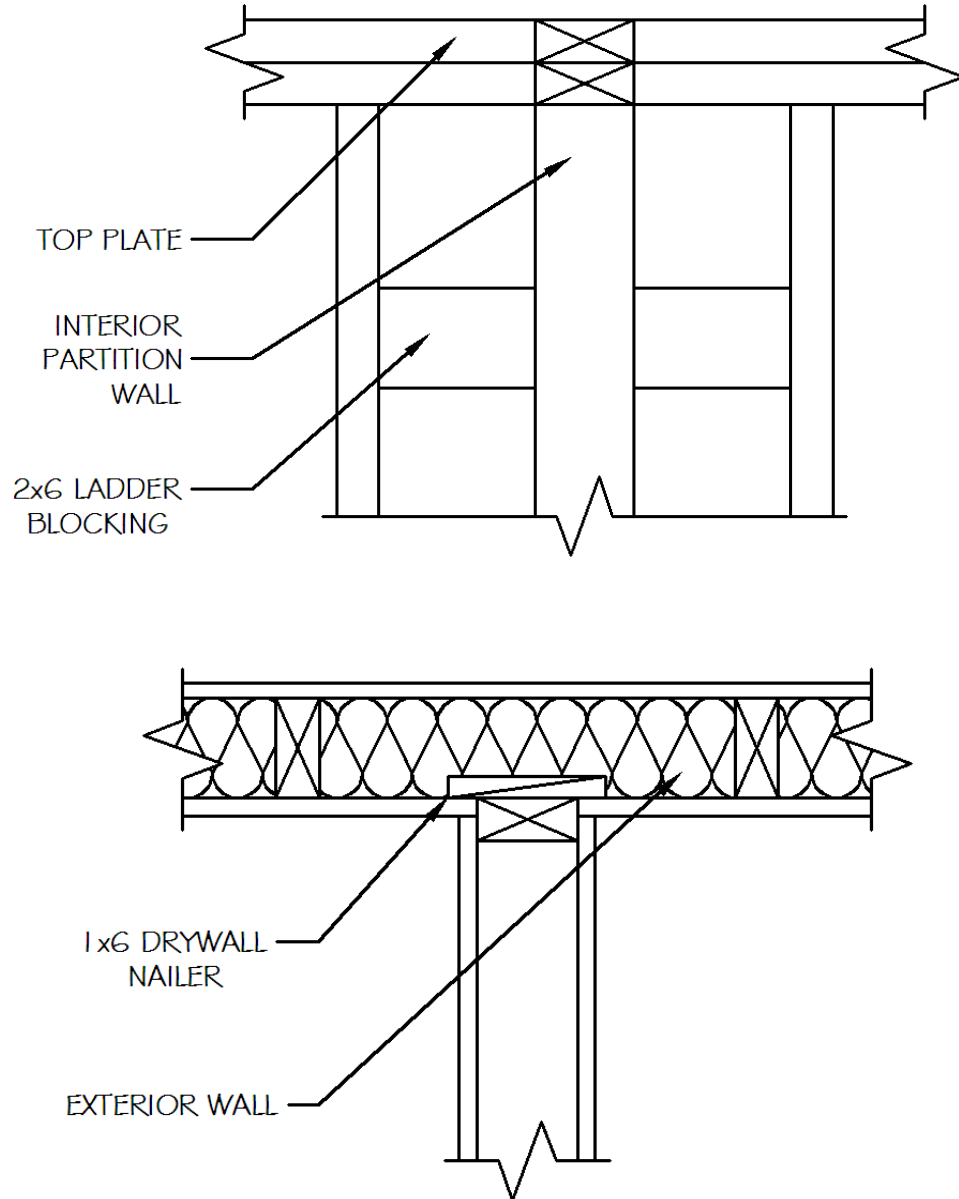
2. Framing Details

2.1 Ladder Framing



DISCLAIMER: This material was prepared by North Carolina Energy Efficiency Alliance, a nonprofit organization. Neither the NCEEA, its member organizations, the acknowledged individuals, nor any person acting on behalf of them: (a) makes any warranty, express or implied, with respect to the use of any information, apparatus, method or process disclosed in this publication that such use may not infringe privately owned rights; or (b) assumes any liability with respect to the use of, or for direct or consequential damages resulting from the use of, any information, apparatus, method or process disclosed in this publication; or (c) has any liability for damages that result from any negligent act or omission involved in the preparation of the material. Any implied warranty of merchantability or fitness for a particular use is specifically excluded.

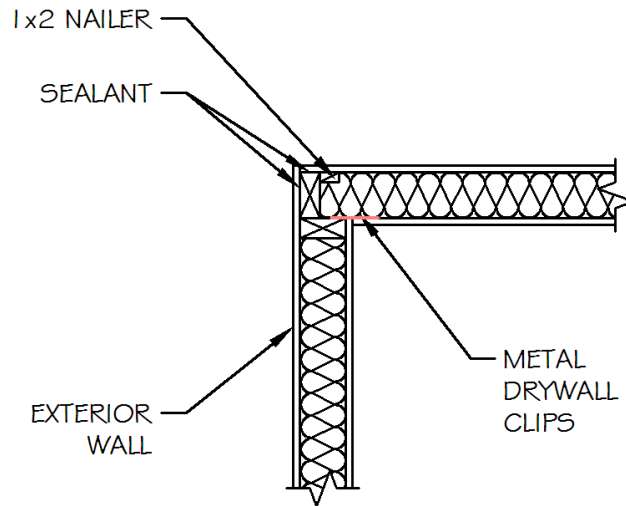
2.1 Ladder Framing



DISCLAIMER: This material was prepared by North Carolina Energy Efficiency Alliance, a nonprofit organization. Neither the NCEEA, its member organizations, the acknowledged individuals, nor any person acting on behalf of them: (a) makes any warranty, express or implied, with respect to the use of any information, apparatus, method or process disclosed in this publication that such use may not infringe privately owned rights; or (b) assumes any liability with respect to the use of, or for direct or consequential damages resulting from the use of, any information, apparatus, method or process disclosed in this publication; or (c) has any liability for damages that result from any negligent act or omission involved in the preparation of the material. Any implied warranty of merchantability or fitness for a particular use is specifically excluded.

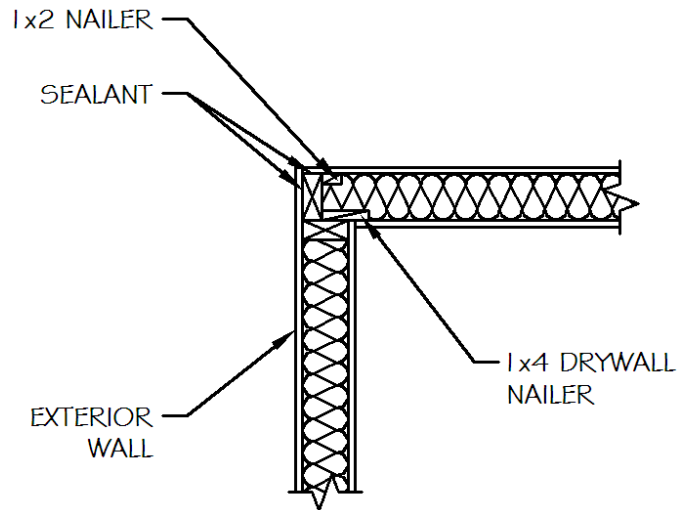
2.3 Two-stud Corners

2.3.1 Metal Drywall Clips



DISCLAIMER: This material was prepared by North Carolina Energy Efficiency Alliance, a nonprofit organization. Neither the NCEEA, its member organizations, the acknowledged individuals, nor any person acting on behalf of them: (a) makes any warranty, express or implied, with respect to the use of any information, apparatus, method or process disclosed in this publication that such use may not infringe privately owned rights; or (b) assumes any liability with respect to the use of, or for direct or consequential damages resulting from the use of, any information, apparatus, method or process disclosed in this publication; or (c) has any liability for damages that result from any negligent act or omission involved in the preparation of the material. Any implied warranty of merchantability or fitness for a particular use is specifically excluded.

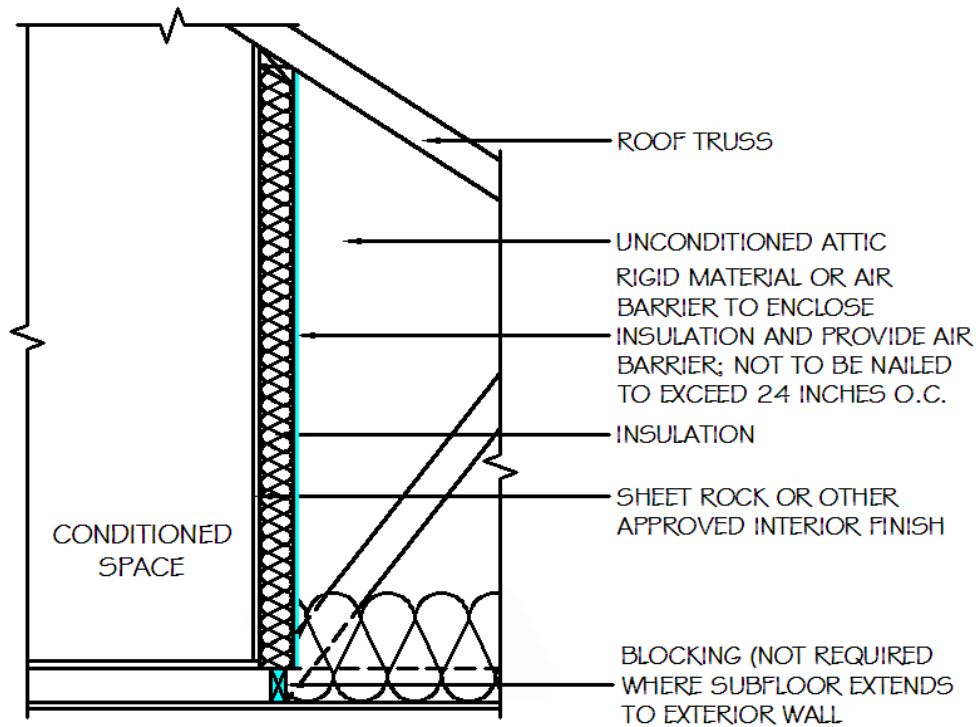
2.3.2 Drywall Nailer – 1x4



DISCLAIMER: This material was prepared by North Carolina Energy Efficiency Alliance, a nonprofit organization. Neither the NCEEA, its member organizations, the acknowledged individuals, nor any person acting on behalf of them: (a) makes any warranty, express or implied, with respect to the use of any information, apparatus, method or process disclosed in this publication that such use may not infringe privately owned rights; or (b) assumes any liability with respect to the use of, or for direct or consequential damages resulting from the use of, any information, apparatus, method or process disclosed in this publication; or (c) has any liability for damages that result from any negligent act or omission involved in the preparation of the material. Any implied warranty of merchantability or fitness for a particular use is specifically excluded.

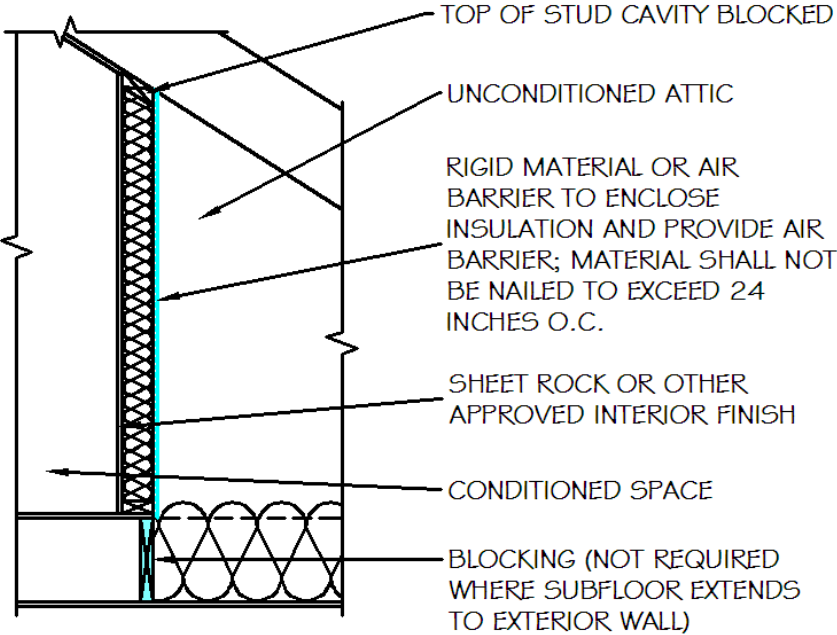
2.4 Blocking Under Knee Wall

2.4.1 Truss Roof



DISCLAIMER: This material was prepared by North Carolina Energy Efficiency Alliance, a nonprofit organization. Neither the NCEEA, its member organizations, the acknowledged individuals, nor any person acting on behalf of them: (a) makes any warranty, express or implied, with respect to the use of any information, apparatus, method or process disclosed in this publication that such use may not infringe privately owned rights; or (b) assumes any liability with respect to the use of, or for direct or consequential damages resulting from the use of, any information, apparatus, method or process disclosed in this publication; or (c) has any liability for damages that result from any negligent act or omission involved in the preparation of the material. Any implied warranty of merchantability or fitness for a particular use is specifically excluded.

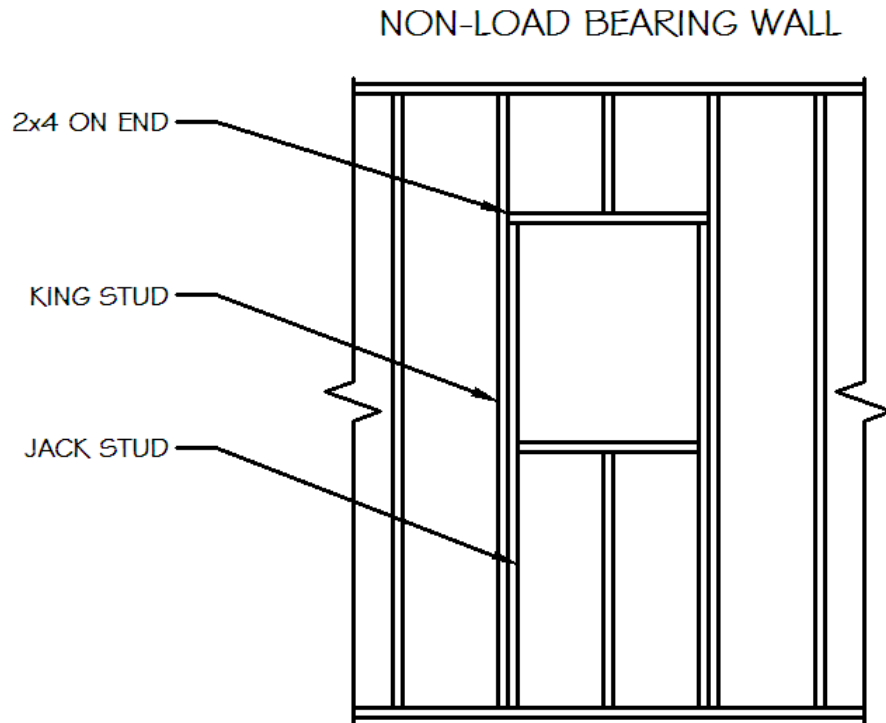
2.4.2 Lumber Framed Attic



DISCLAIMER: This material was prepared by North Carolina Energy Efficiency Alliance, a nonprofit organization. Neither the NCEEA, its member organizations, the acknowledged individuals, nor any person acting on behalf of them: (a) makes any warranty, express or implied, with respect to the use of any information, apparatus, method or process disclosed in this publication that such use may not infringe privately owned rights; or (b) assumes any liability with respect to the use of, or for direct or consequential damages resulting from the use of, any information, apparatus, method or process disclosed in this publication; or (c) has any liability for damages that result from any negligent act or omission involved in the preparation of the material. Any implied warranty of merchantability or fitness for a particular use is specifically excluded.

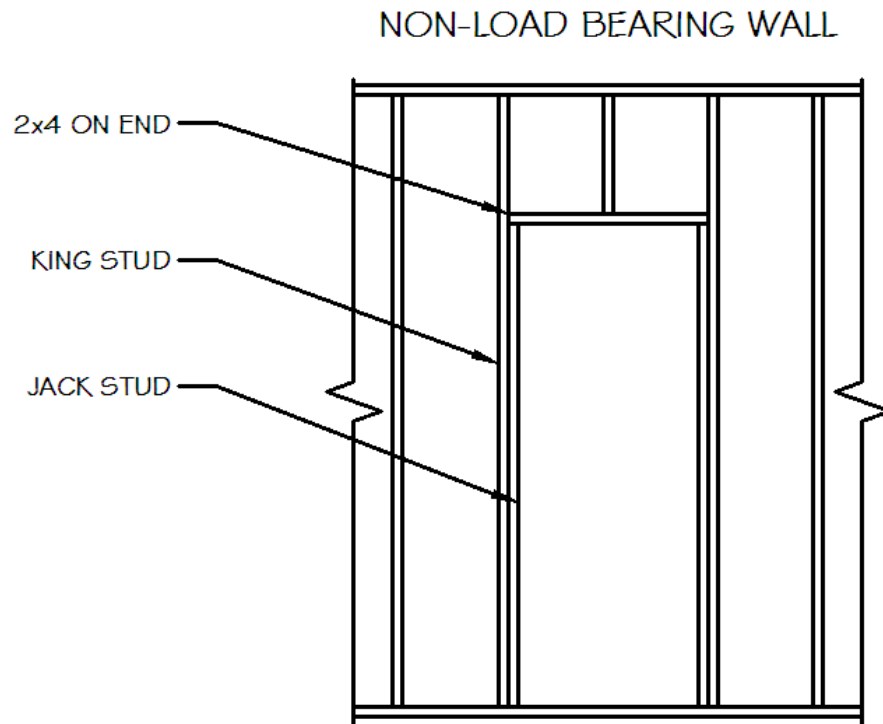
2.5 Non-load Bearing Headers

2.5.1 Window Frame



DISCLAIMER: This material was prepared by North Carolina Energy Efficiency Alliance, a nonprofit organization. Neither the NCEEA, its member organizations, the acknowledged individuals, nor any person acting on behalf of them: (a) makes any warranty, express or implied, with respect to the use of any information, apparatus, method or process disclosed in this publication that such use may not infringe privately owned rights; or (b) assumes any liability with respect to the use of, or for direct or consequential damages resulting from the use of, any information, apparatus, method or process disclosed in this publication; or (c) has any liability for damages that result from any negligent act or omission involved in the preparation of the material. Any implied warranty of merchantability or fitness for a particular use is specifically excluded.

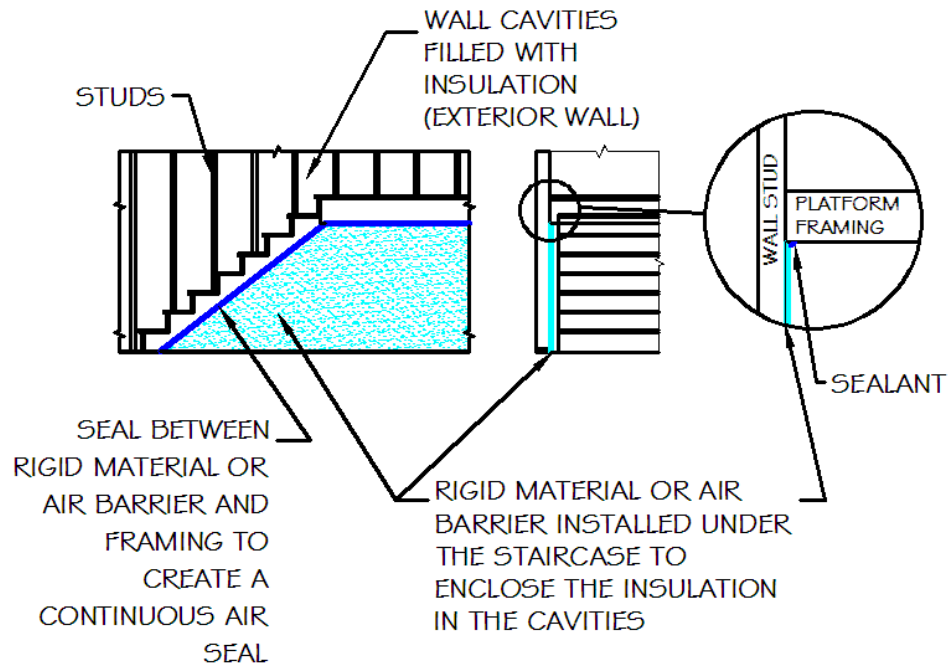
2.5.2 Door Frame



DISCLAIMER: This material was prepared by North Carolina Energy Efficiency Alliance, a nonprofit organization. Neither the NCEEA, its member organizations, the acknowledged individuals, nor any person acting on behalf of them: (a) makes any warranty, express or implied, with respect to the use of any information, apparatus, method or process disclosed in this publication that such use may not infringe privately owned rights; or (b) assumes any liability with respect to the use of, or for direct or consequential damages resulting from the use of, any information, apparatus, method or process disclosed in this publication; or (c) has any liability for damages that result from any negligent act or omission involved in the preparation of the material. Any implied warranty of merchantability or fitness for a particular use is specifically excluded.

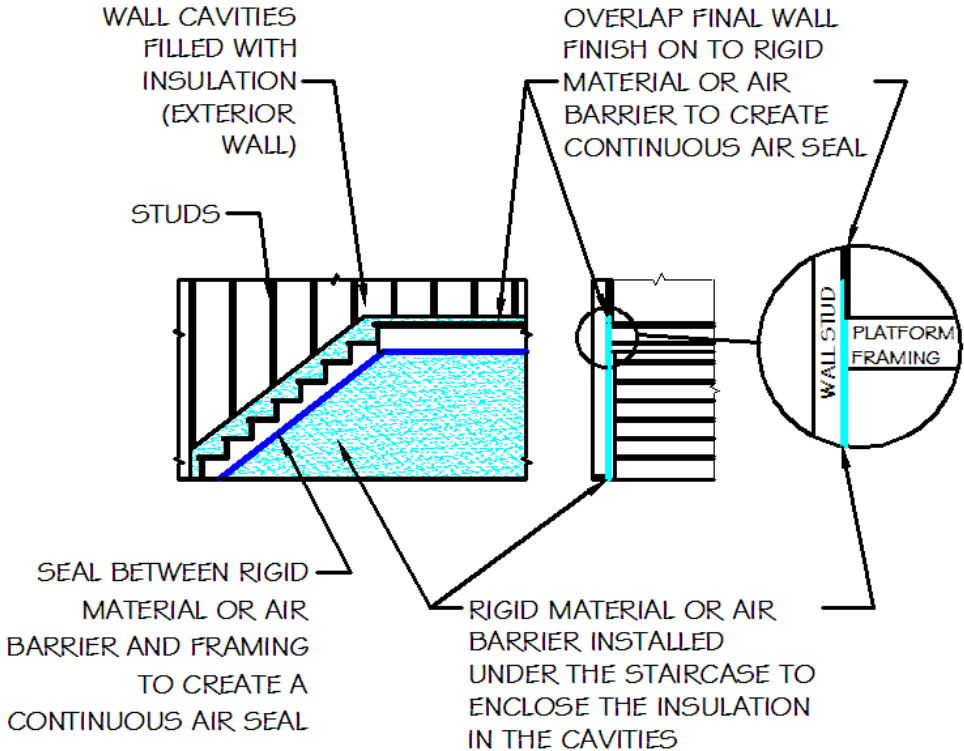
2.6 Under Stairs

2.6.1 Option A



DISCLAIMER: This material was prepared by North Carolina Energy Efficiency Alliance, a nonprofit organization. Neither the NCEEA, its member organizations, the acknowledged individuals, nor any person acting on behalf of them: (a) makes any warranty, express or implied, with respect to the use of any information, apparatus, method or process disclosed in this publication that such use may not infringe privately owned rights; or (b) assumes any liability with respect to the use of, or for direct or consequential damages resulting from the use of, any information, apparatus, method or process disclosed in this publication; or (c) has any liability for damages that result from any negligent act or omission involved in the preparation of the material. Any implied warranty of merchantability or fitness for a particular use is specifically excluded.

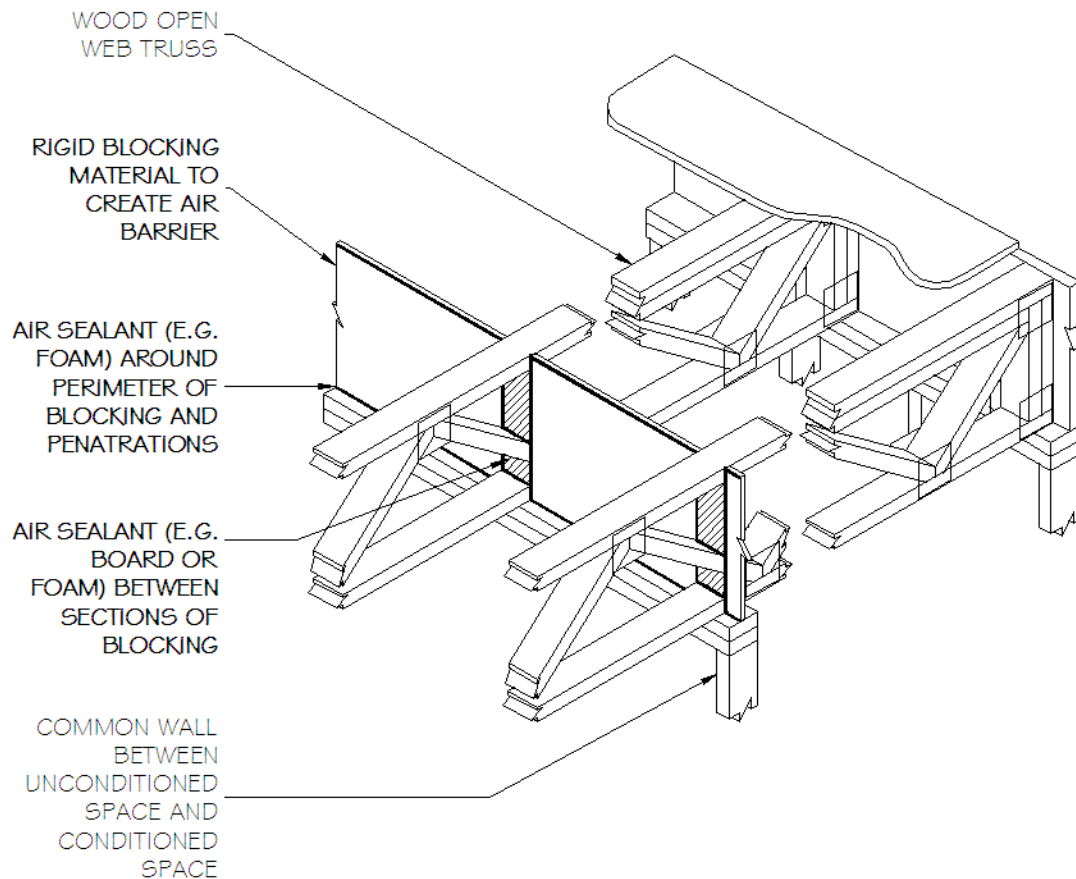
2.6.2 Option B



DISCLAIMER: This material was prepared by North Carolina Energy Efficiency Alliance, a nonprofit organization. Neither the NCEEA, its member organizations, the acknowledged individuals, nor any person acting on behalf of them: (a) makes any warranty, express or implied, with respect to the use of any information, apparatus, method or process disclosed in this publication that such use may not infringe privately owned rights; or (b) assumes any liability with respect to the use of, or for direct or consequential damages resulting from the use of, any information, apparatus, method or process disclosed in this publication; or (c) has any liability for damages that result from any negligent act or omission involved in the preparation of the material. Any implied warranty of merchantability or fitness for a particular use is specifically excluded.

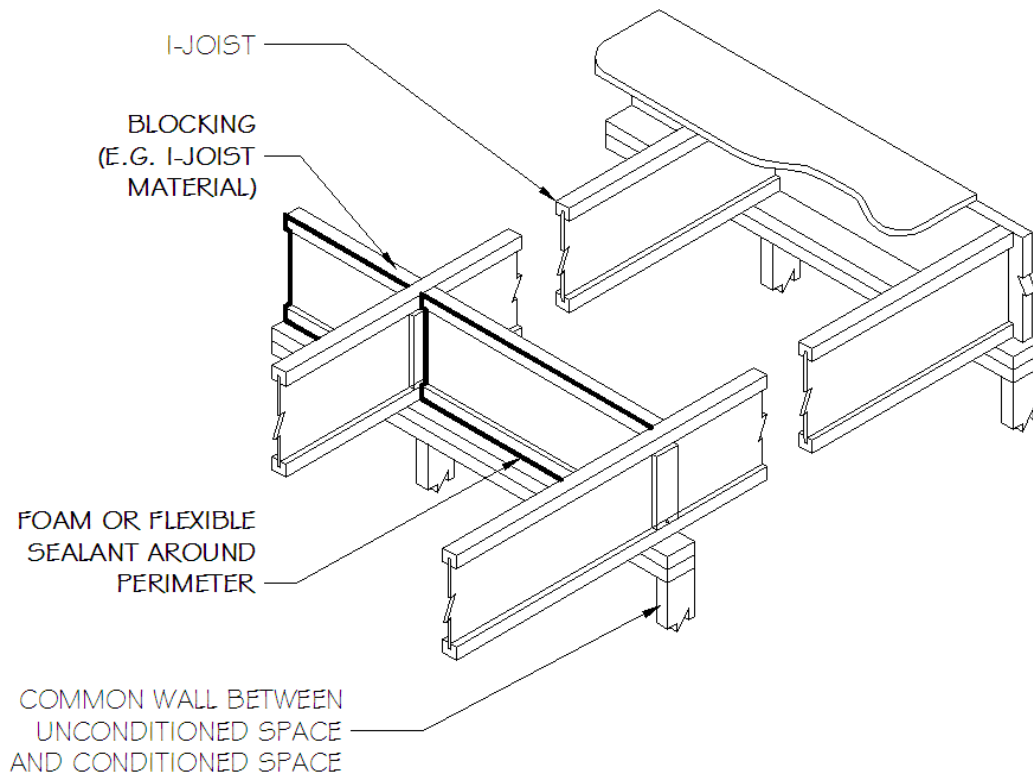
2.7 Blocking Between Garage and Conditioned Space

2.7.1 Floor System → Truss



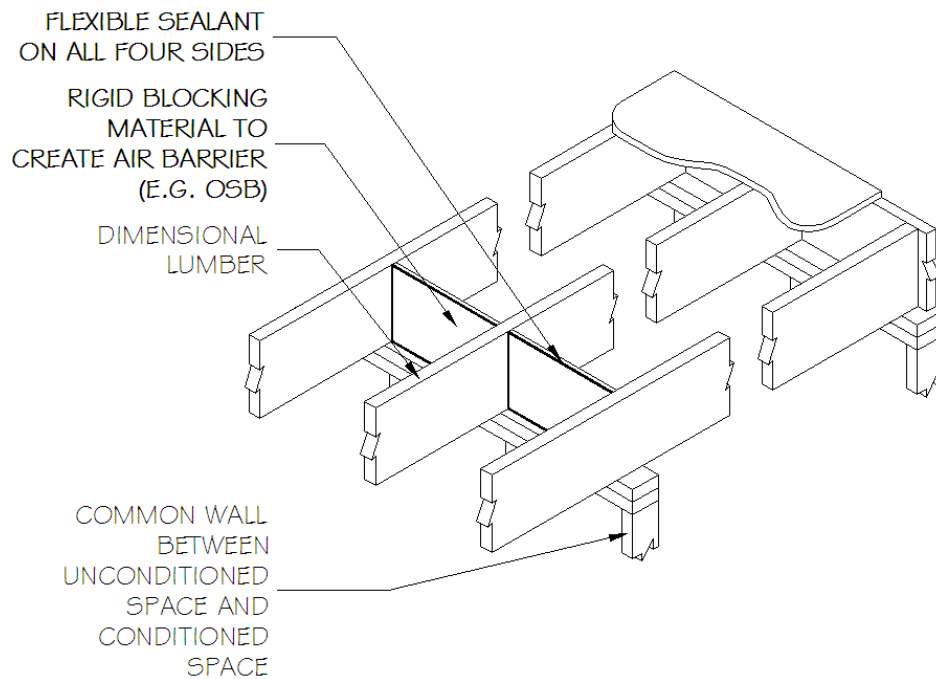
DISCLAIMER: This material was prepared by North Carolina Energy Efficiency Alliance, a nonprofit organization. Neither the NCEEA, its member organizations, the acknowledged individuals, nor any person acting on behalf of them: (a) makes any warranty, express or implied, with respect to the use of any information, apparatus, method or process disclosed in this publication that such use may not infringe privately owned rights; or (b) assumes any liability with respect to the use of, or for direct or consequential damages resulting from the use of, any information, apparatus, method or process disclosed in this publication; or (c) has any liability for damages that result from any negligent act or omission involved in the preparation of the material. Any implied warranty of merchantability or fitness for a particular use is specifically excluded.

2.7.2 Floor System → I-Joists



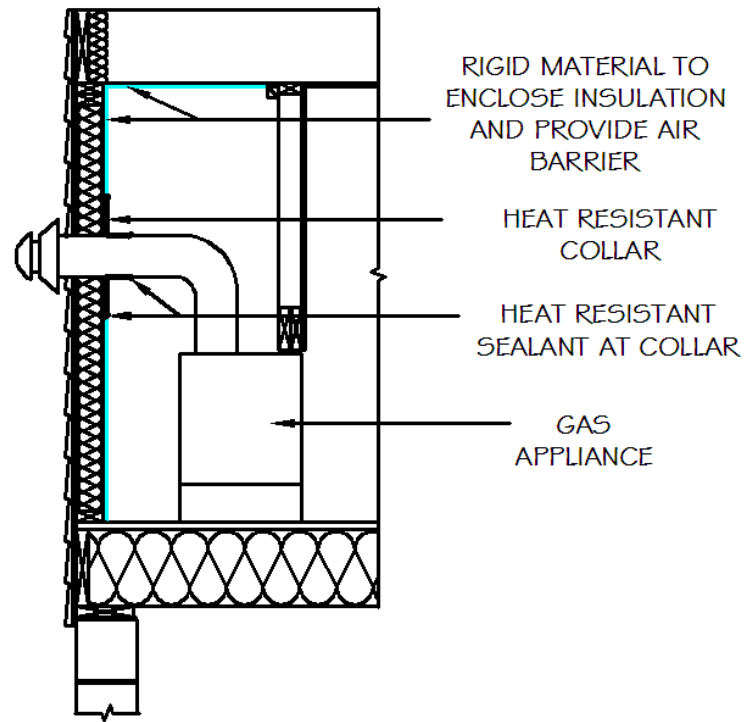
DISCLAIMER: This material was prepared by North Carolina Energy Efficiency Alliance, a nonprofit organization. Neither the NCEEA, its member organizations, the acknowledged individuals, nor any person acting on behalf of them: (a) makes any warranty, express or implied, with respect to the use of any information, apparatus, method or process disclosed in this publication that such use may not infringe privately owned rights; or (b) assumes any liability with respect to the use of, or for direct or consequential damages resulting from the use of, any information, apparatus, method or process disclosed in this publication; or (c) has any liability for damages that result from any negligent act or omission involved in the preparation of the material. Any implied warranty of merchantability or fitness for a particular use is specifically excluded.

2.7.3 Floor System → Dimensional Lumber



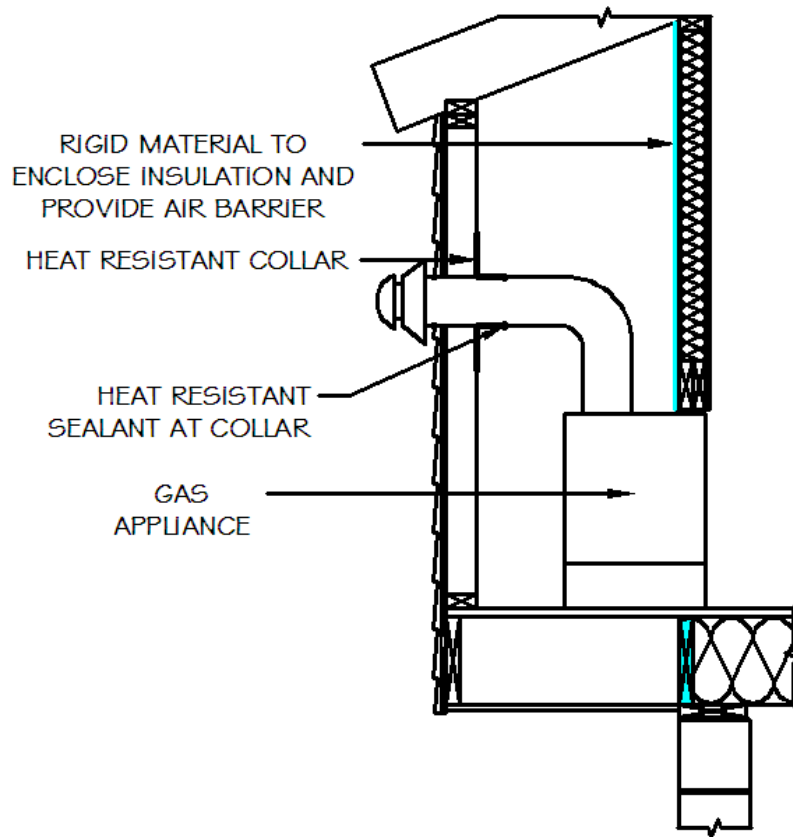
DISCLAIMER: This material was prepared by North Carolina Energy Efficiency Alliance, a nonprofit organization. Neither the NCEEA, its member organizations, the acknowledged individuals, nor any person acting on behalf of them: (a) makes any warranty, express or implied, with respect to the use of any information, apparatus, method or process disclosed in this publication that such use may not infringe privately owned rights; or (b) assumes any liability with respect to the use of, or for direct or consequential damages resulting from the use of, any information, apparatus, method or process disclosed in this publication; or (c) has any liability for damages that result from any negligent act or omission involved in the preparation of the material. Any implied warranty of merchantability or fitness for a particular use is specifically excluded.

2.8 Direct Vent Gas Fireplace



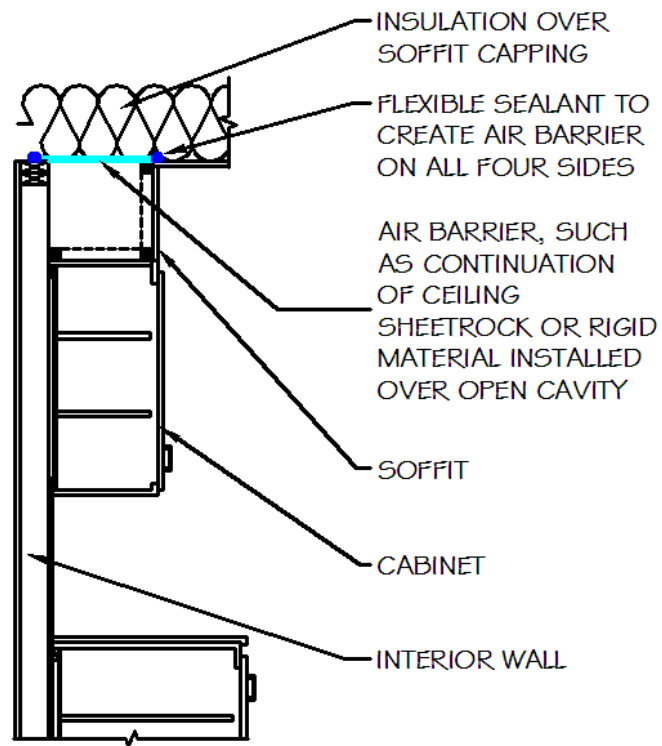
DISCLAIMER: This material was prepared by North Carolina Energy Efficiency Alliance, a nonprofit organization. Neither the NCEEA, its member organizations, the acknowledged individuals, nor any person acting on behalf of them: (a) makes any warranty, express or implied, with respect to the use of any information, apparatus, method or process disclosed in this publication that such use may not infringe privately owned rights; or (b) assumes any liability with respect to the use of, or for direct or consequential damages resulting from the use of, any information, apparatus, method or process disclosed in this publication; or (c) has any liability for damages that result from any negligent act or omission involved in the preparation of the material. Any implied warranty of merchantability or fitness for a particular use is specifically excluded.

2.8 Direct Vent Gas Fireplace



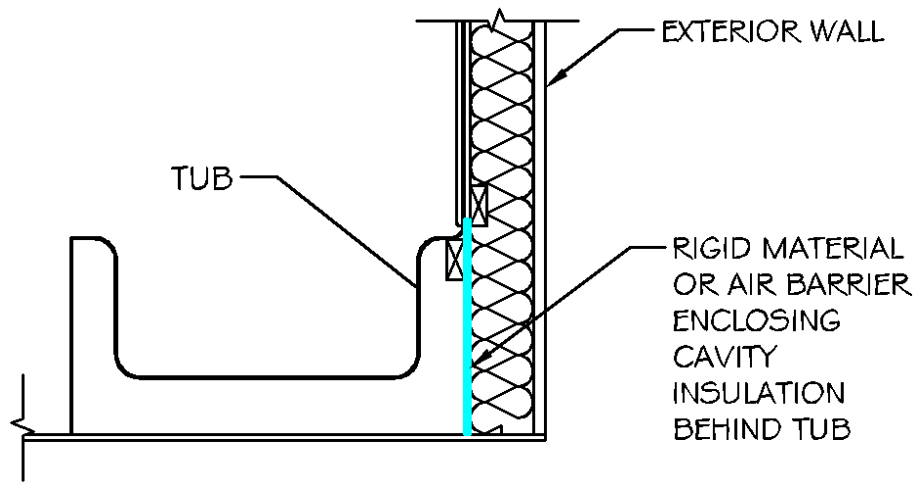
DISCLAIMER: This material was prepared by North Carolina Energy Efficiency Alliance, a nonprofit organization. Neither the NCEEA, its member organizations, the acknowledged individuals, nor any person acting on behalf of them: (a) makes any warranty, express or implied, with respect to the use of any information, apparatus, method or process disclosed in this publication that such use may not infringe privately owned rights; or (b) assumes any liability with respect to the use of, or for direct or consequential damages resulting from the use of, any information, apparatus, method or process disclosed in this publication; or (c) has any liability for damages that result from any negligent act or omission involved in the preparation of the material. Any implied warranty of merchantability or fitness for a particular use is specifically excluded.

2.9 Soffit Over Cabinets



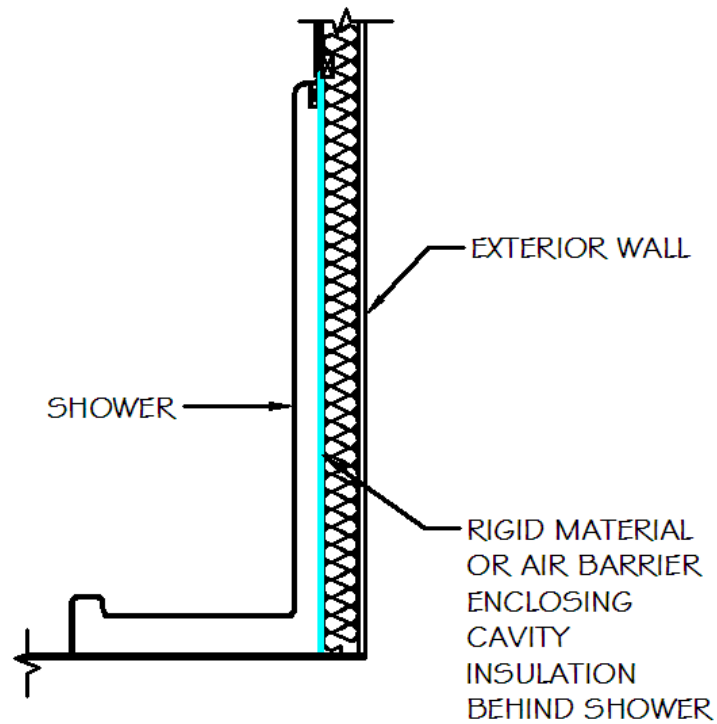
DISCLAIMER: This material was prepared by North Carolina Energy Efficiency Alliance, a nonprofit organization. Neither the NCEEA, its member organizations, the acknowledged individuals, nor any person acting on behalf of them: (a) makes any warranty, express or implied, with respect to the use of any information, apparatus, method or process disclosed in this publication that such use may not infringe privately owned rights; or (b) assumes any liability with respect to the use of, or for direct or consequential damages resulting from the use of, any information, apparatus, method or process disclosed in this publication; or (c) has any liability for damages that result from any negligent act or omission involved in the preparation of the material. Any implied warranty of merchantability or fitness for a particular use is specifically excluded.

2.10 Bathtub on Exterior Wall



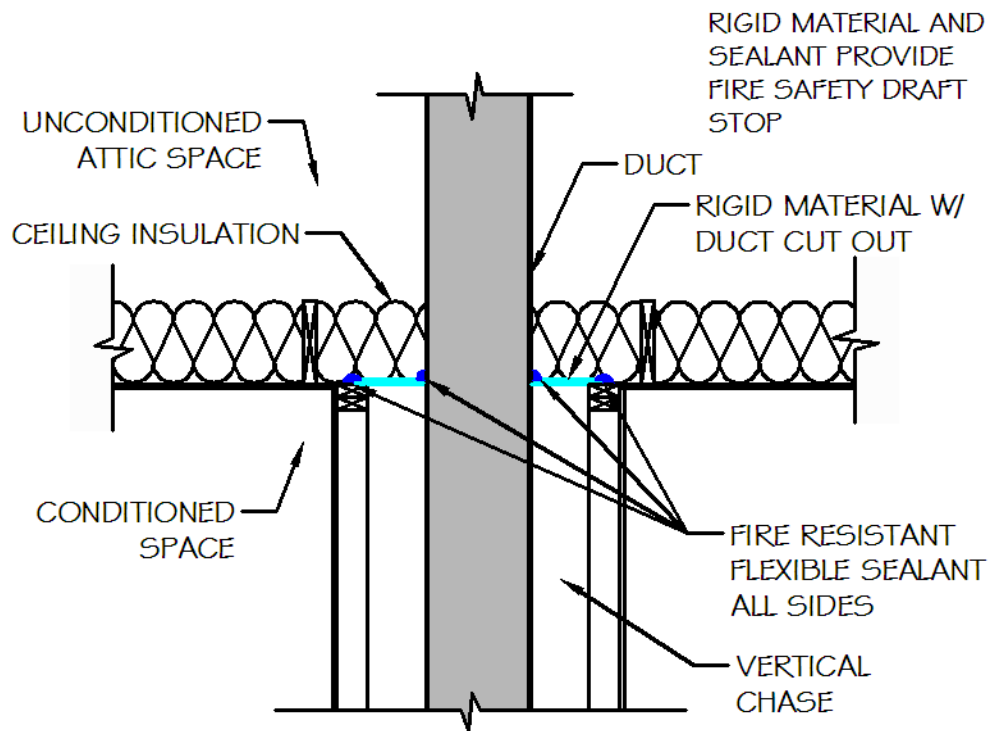
DISCLAIMER: This material was prepared by North Carolina Energy Efficiency Alliance, a nonprofit organization. Neither the NCEEA, its member organizations, the acknowledged individuals, nor any person acting on behalf of them: (a) makes any warranty, express or implied, with respect to the use of any information, apparatus, method or process disclosed in this publication that such use may not infringe privately owned rights; or (b) assumes any liability with respect to the use of, or for direct or consequential damages resulting from the use of, any information, apparatus, method or process disclosed in this publication; or (c) has any liability for damages that result from any negligent act or omission involved in the preparation of the material. Any implied warranty of merchantability or fitness for a particular use is specifically excluded.

2.11 Showers on Exterior Wall



DISCLAIMER: This material was prepared by North Carolina Energy Efficiency Alliance, a nonprofit organization. Neither the NCEEA, its member organizations, the acknowledged individuals, nor any person acting on behalf of them: (a) makes any warranty, express or implied, with respect to the use of any information, apparatus, method or process disclosed in this publication that such use may not infringe privately owned rights; or (b) assumes any liability with respect to the use of, or for direct or consequential damages resulting from the use of, any information, apparatus, method or process disclosed in this publication; or (c) has any liability for damages that result from any negligent act or omission involved in the preparation of the material. Any implied warranty of merchantability or fitness for a particular use is specifically excluded.

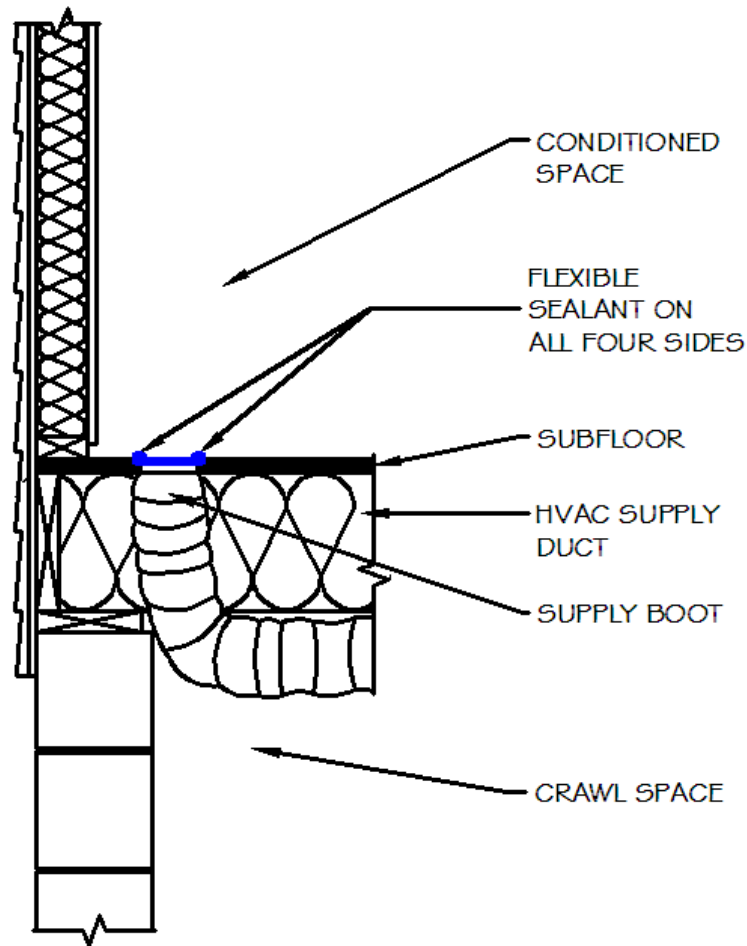
2.12 Capped Mechanical Chase



DISCLAIMER: This material was prepared by North Carolina Energy Efficiency Alliance, a nonprofit organization. Neither the NCEEA, its member organizations, the acknowledged individuals, nor any person acting on behalf of them: (a) makes any warranty, express or implied, with respect to the use of any information, apparatus, method or process disclosed in this publication that such use may not infringe privately owned rights; or (b) assumes any liability with respect to the use of, or for direct or consequential damages resulting from the use of, any information, apparatus, method or process disclosed in this publication; or (c) has any liability for damages that result from any negligent act or omission involved in the preparation of the material. Any implied warranty of merchantability or fitness for a particular use is specifically excluded.

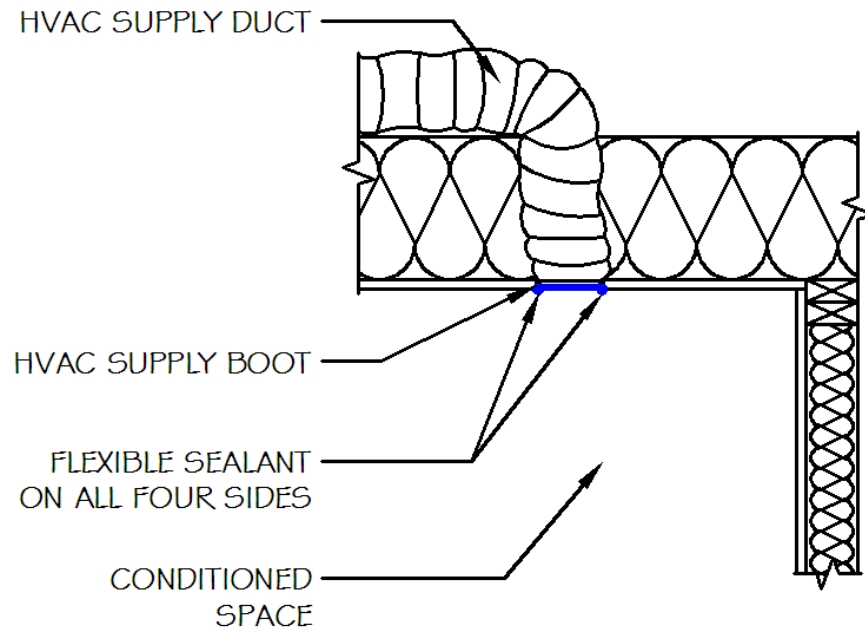
2.13 Sealed Supply Duct

2.13.1 Duct in Floor System



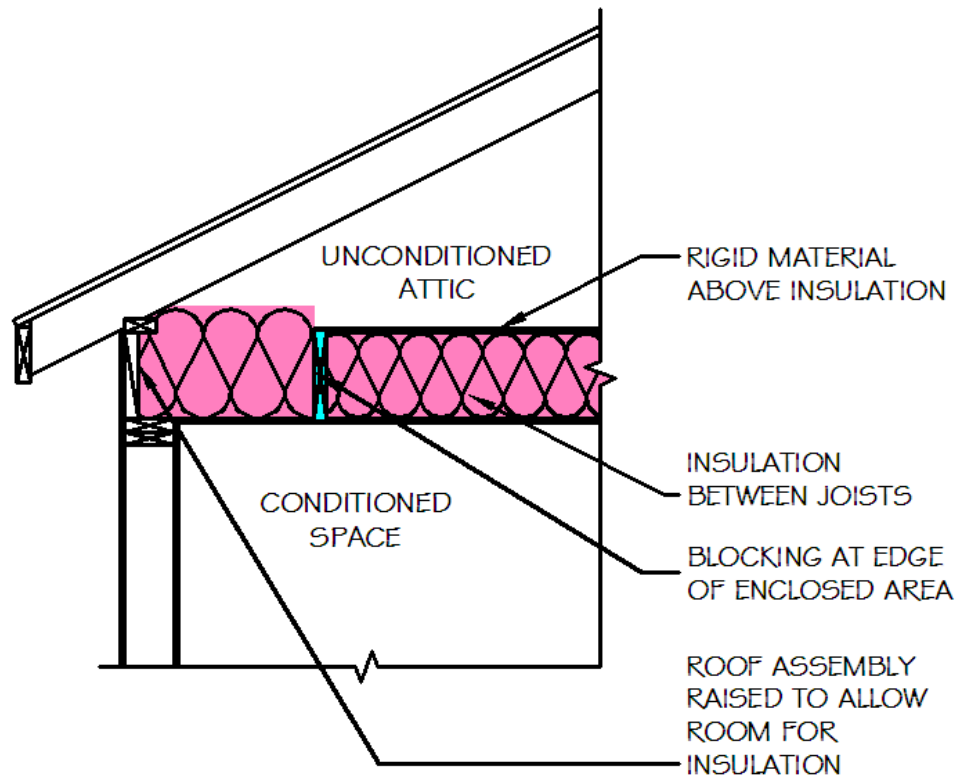
DISCLAIMER: This material was prepared by North Carolina Energy Efficiency Alliance, a nonprofit organization. Neither the NCEEA, its member organizations, the acknowledged individuals, nor any person acting on behalf of them: (a) makes any warranty, express or implied, with respect to the use of any information, apparatus, method or process disclosed in this publication that such use may not infringe privately owned rights; or (b) assumes any liability with respect to the use of, or for direct or consequential damages resulting from the use of, any information, apparatus, method or process disclosed in this publication; or (c) has any liability for damages that result from any negligent act or omission involved in the preparation of the material. Any implied warranty of merchantability or fitness for a particular use is specifically excluded.

2.13.2 Duct in Ceiling



DISCLAIMER: This material was prepared by North Carolina Energy Efficiency Alliance, a nonprofit organization. Neither the NCEEA, its member organizations, the acknowledged individuals, nor any person acting on behalf of them: (a) makes any warranty, express or implied, with respect to the use of any information, apparatus, method or process disclosed in this publication that such use may not infringe privately owned rights; or (b) assumes any liability with respect to the use of, or for direct or consequential damages resulting from the use of, any information, apparatus, method or process disclosed in this publication; or (c) has any liability for damages that result from any negligent act or omission involved in the preparation of the material. Any implied warranty of merchantability or fitness for a particular use is specifically excluded.

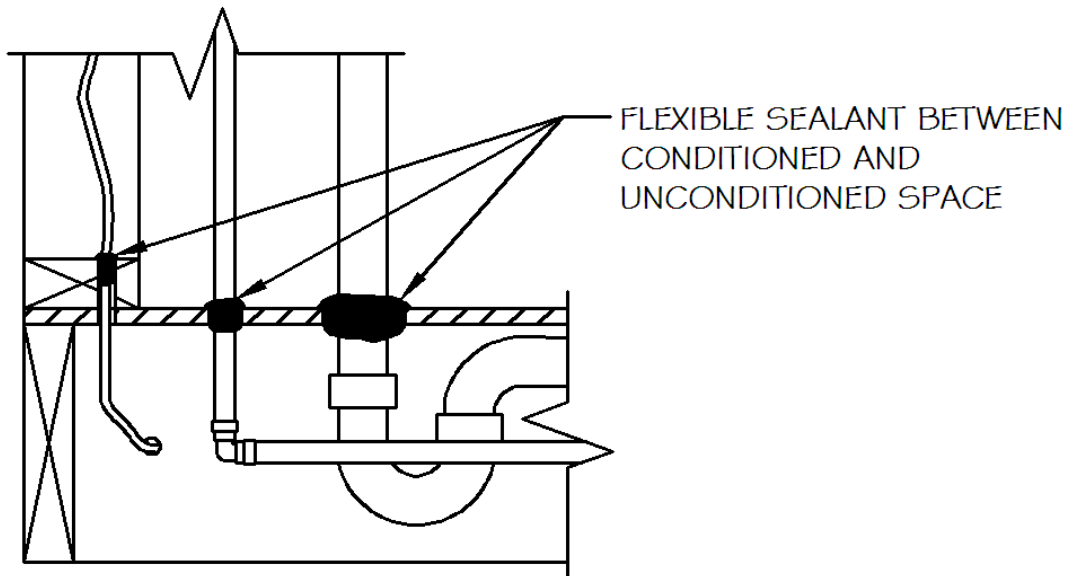
2.14 Raised Roof Assembly



DISCLAIMER: This material was prepared by North Carolina Energy Efficiency Alliance, a nonprofit organization. Neither the NCEEA, its member organizations, the acknowledged individuals, nor any person acting on behalf of them: (a) makes any warranty, express or implied, with respect to the use of any information, apparatus, method or process disclosed in this publication that such use may not infringe privately owned rights; or (b) assumes any liability with respect to the use of, or for direct or consequential damages resulting from the use of, any information, apparatus, method or process disclosed in this publication; or (c) has any liability for damages that result from any negligent act or omission involved in the preparation of the material. Any implied warranty of merchantability or fitness for a particular use is specifically excluded.

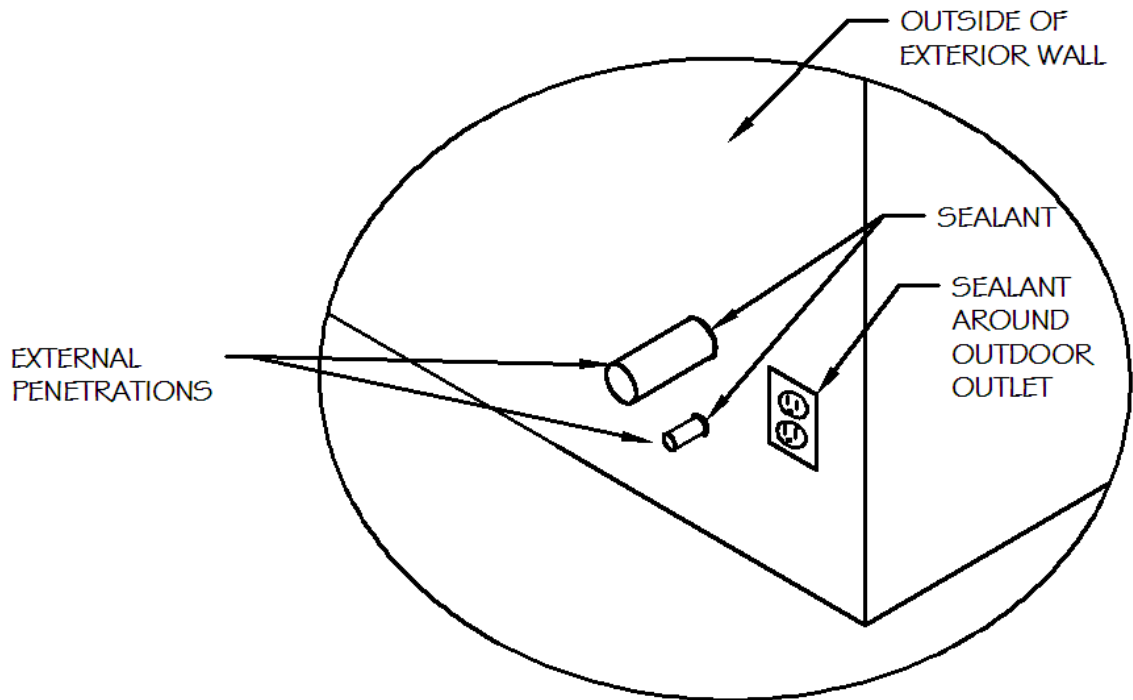
3. Sealing Details

3.1 Floor Penetrations



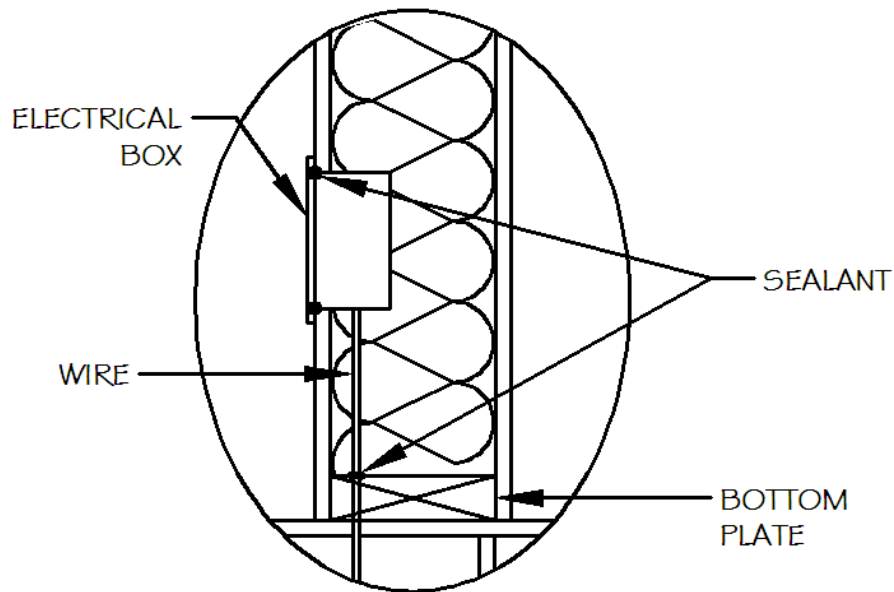
DISCLAIMER: This material was prepared by North Carolina Energy Efficiency Alliance, a nonprofit organization. Neither the NCEEA, its member organizations, the acknowledged individuals, nor any person acting on behalf of them: (a) makes any warranty, express or implied, with respect to the use of any information, apparatus, method or process disclosed in this publication that such use may not infringe privately owned rights; or (b) assumes any liability with respect to the use of, or for direct or consequential damages resulting from the use of, any information, apparatus, method or process disclosed in this publication; or (c) has any liability for damages that result from any negligent act or omission involved in the preparation of the material. Any implied warranty of merchantability or fitness for a particular use is specifically excluded.

3.2 Wall Penetrations



DISCLAIMER: This material was prepared by North Carolina Energy Efficiency Alliance, a nonprofit organization. Neither the NCEEA, its member organizations, the acknowledged individuals, nor any person acting on behalf of them: (a) makes any warranty, express or implied, with respect to the use of any information, apparatus, method or process disclosed in this publication that such use may not infringe privately owned rights; or (b) assumes any liability with respect to the use of, or for direct or consequential damages resulting from the use of, any information, apparatus, method or process disclosed in this publication; or (c) has any liability for damages that result from any negligent act or omission involved in the preparation of the material. Any implied warranty of merchantability or fitness for a particular use is specifically excluded.

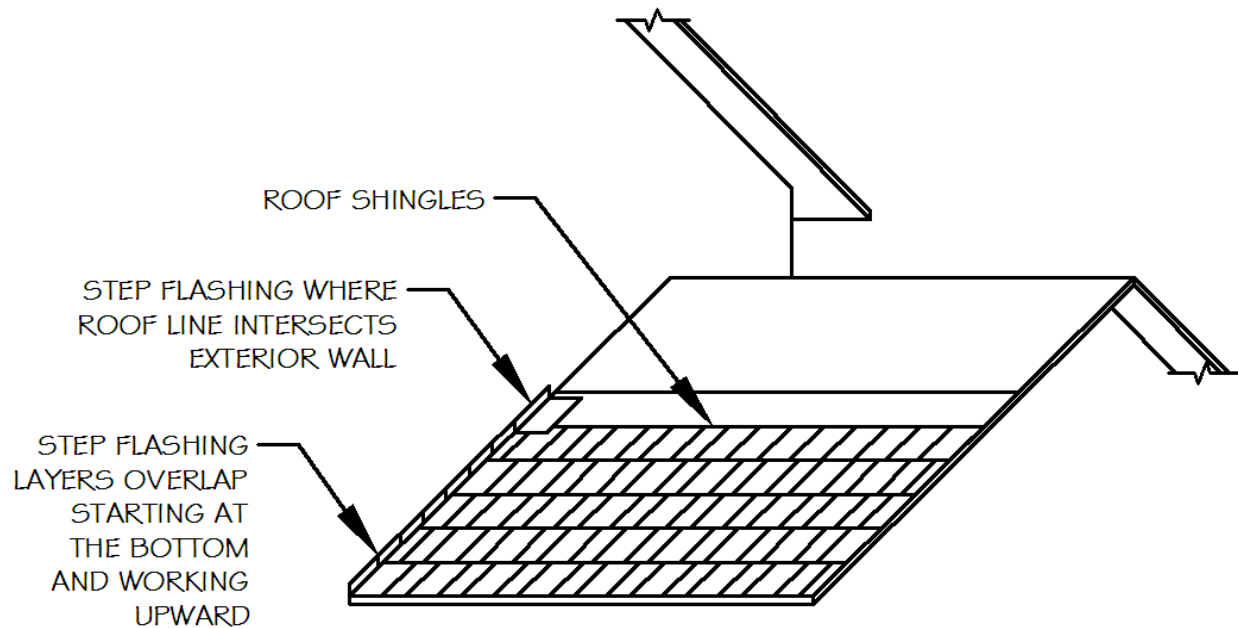
3.3 Sealing Electrical Boxes



DISCLAIMER: This material was prepared by North Carolina Energy Efficiency Alliance, a nonprofit organization. Neither the NCEEA, its member organizations, the acknowledged individuals, nor any person acting on behalf of them: (a) makes any warranty, express or implied, with respect to the use of any information, apparatus, method or process disclosed in this publication that such use may not infringe privately owned rights; or (b) assumes any liability with respect to the use of, or for direct or consequential damages resulting from the use of, any information, apparatus, method or process disclosed in this publication; or (c) has any liability for damages that result from any negligent act or omission involved in the preparation of the material. Any implied warranty of merchantability or fitness for a particular use is specifically excluded.

4. Water Management Details

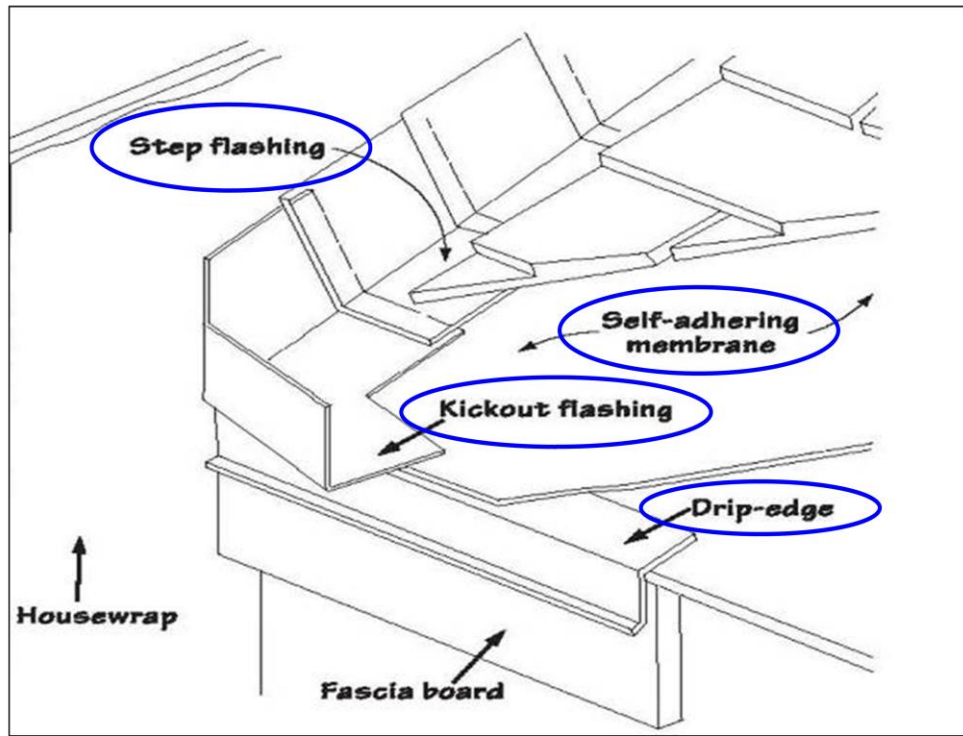
4.1 Step Flashing



DISCLAIMER: This material was prepared by North Carolina Energy Efficiency Alliance, a nonprofit organization. Neither the NCEEA, its member organizations, the acknowledged individuals, nor any person acting on behalf of them: (a) makes any warranty, express or implied, with respect to the use of any information, apparatus, method or process disclosed in this publication that such use may not infringe privately owned rights; or (b) assumes any liability with respect to the use of, or for direct or consequential damages resulting from the use of, any information, apparatus, method or process disclosed in this publication; or (c) has any liability for damages that result from any negligent act or omission involved in the preparation of the material. Any implied warranty of merchantability or fitness for a particular use is specifically excluded.

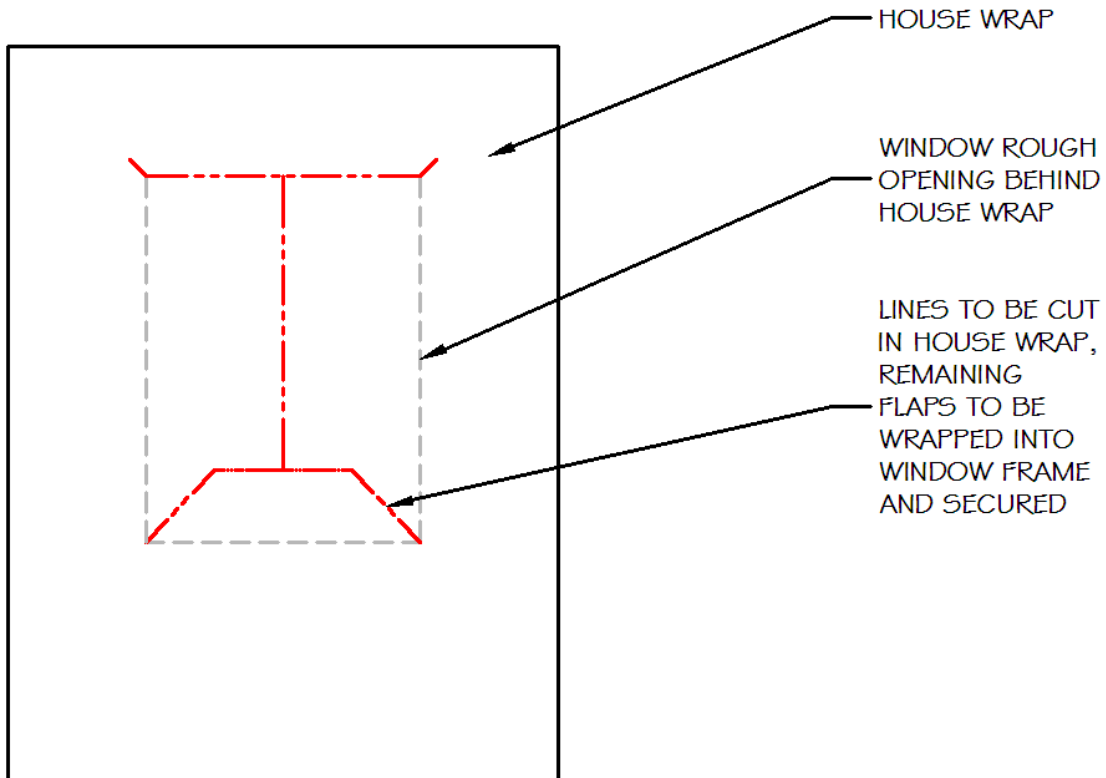
4.2 Step Flashing

MORE ROOF FLASHING DETAILS ...



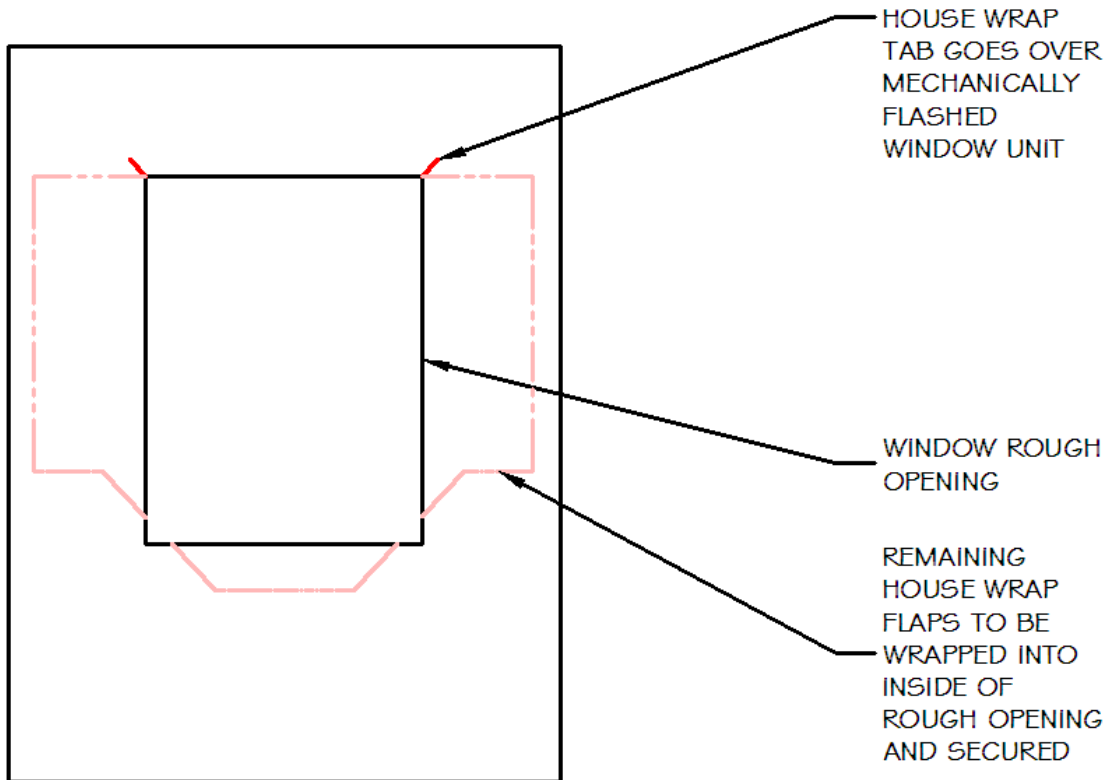
DISCLAIMER: This material was prepared by North Carolina Energy Efficiency Alliance, a nonprofit organization. Neither the NCEEA, its member organizations, the acknowledged individuals, nor any person acting on behalf of them: (a) makes any warranty, express or implied, with respect to the use of any information, apparatus, method or process disclosed in this publication that such use may not infringe privately owned rights; or (b) assumes any liability with respect to the use of, or for direct or consequential damages resulting from the use of, any information, apparatus, method or process disclosed in this publication; or (c) has any liability for damages that result from any negligent act or omission involved in the preparation of the material. Any implied warranty of merchantability or fitness for a particular use is specifically excluded.

4.3 Window Flashing



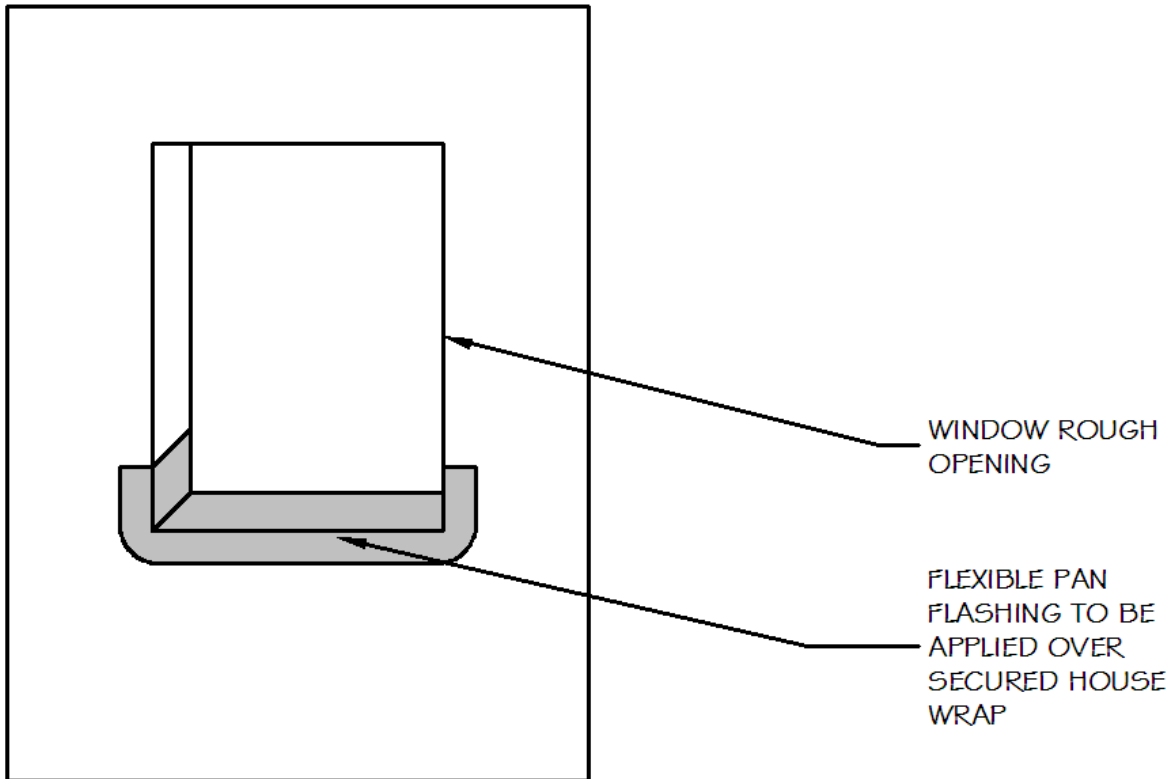
DISCLAIMER: This material was prepared by North Carolina Energy Efficiency Alliance, a nonprofit organization. Neither the NCEEA, its member organizations, the acknowledged individuals, nor any person acting on behalf of them: (a) makes any warranty, express or implied, with respect to the use of any information, apparatus, method or process disclosed in this publication that such use may not infringe privately owned rights; or (b) assumes any liability with respect to the use of, or for direct or consequential damages resulting from the use of, any information, apparatus, method or process disclosed in this publication; or (c) has any liability for damages that result from any negligent act or omission involved in the preparation of the material. Any implied warranty of merchantability or fitness for a particular use is specifically excluded.

4.3 Window Flashing



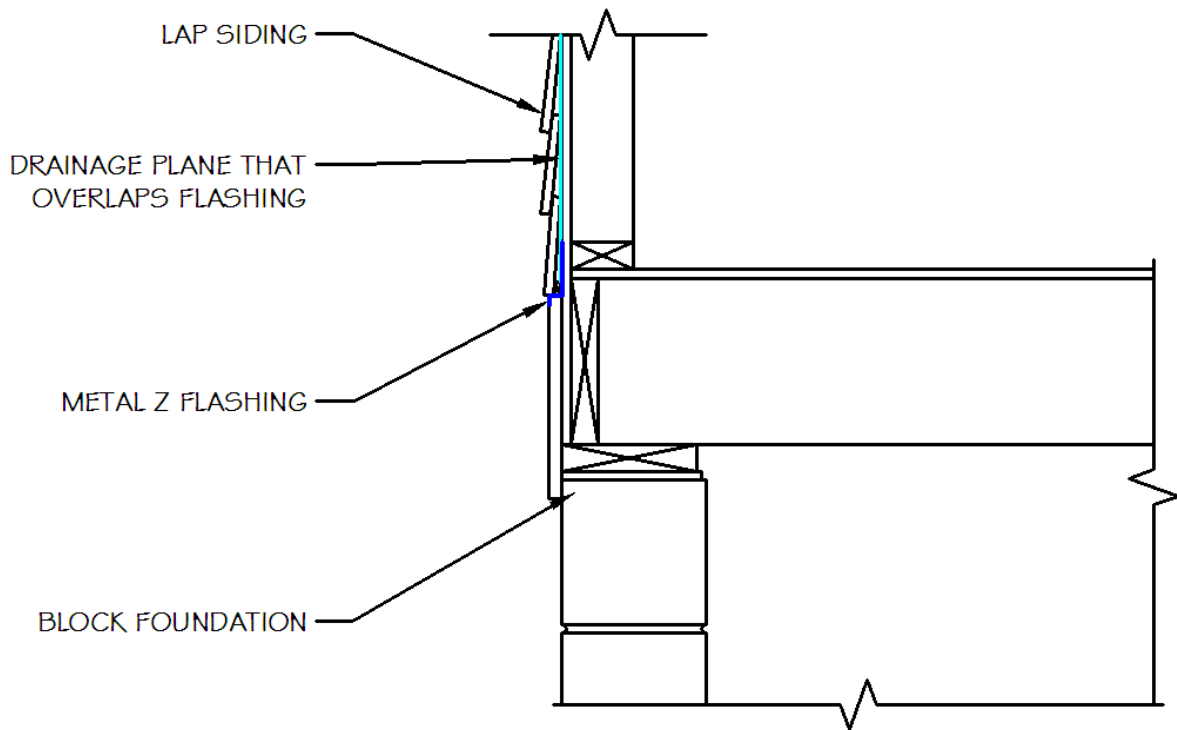
DISCLAIMER: This material was prepared by North Carolina Energy Efficiency Alliance, a nonprofit organization. Neither the NCEEA, its member organizations, the acknowledged individuals, nor any person acting on behalf of them: (a) makes any warranty, express or implied, with respect to the use of any information, apparatus, method or process disclosed in this publication that such use may not infringe privately owned rights; or (b) assumes any liability with respect to the use of, or for direct or consequential damages resulting from the use of, any information, apparatus, method or process disclosed in this publication; or (c) has any liability for damages that result from any negligent act or omission involved in the preparation of the material. Any implied warranty of merchantability or fitness for a particular use is specifically excluded.

4.3 Window Flashing



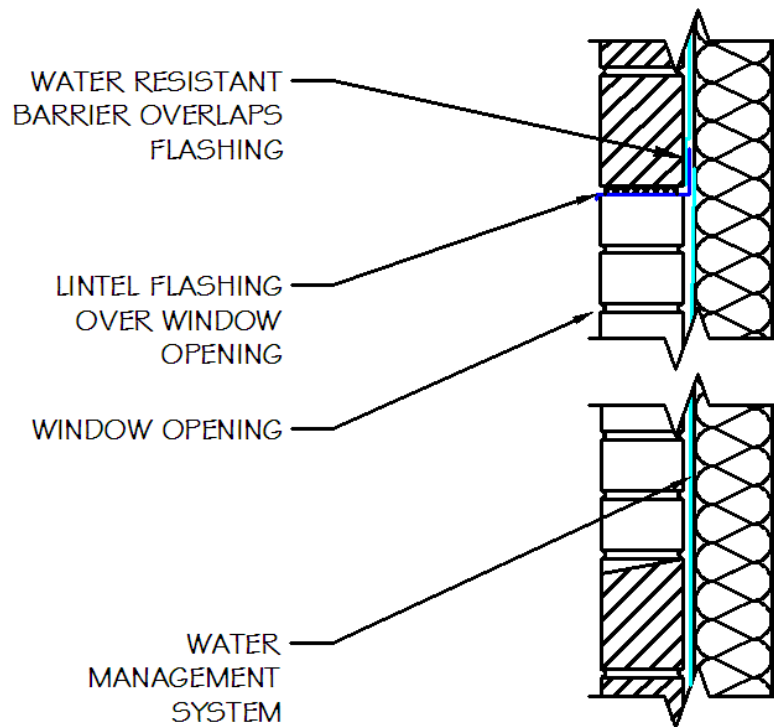
DISCLAIMER: This material was prepared by North Carolina Energy Efficiency Alliance, a nonprofit organization. Neither the NCEEA, its member organizations, the acknowledged individuals, nor any person acting on behalf of them: (a) makes any warranty, express or implied, with respect to the use of any information, apparatus, method or process disclosed in this publication that such use may not infringe privately owned rights; or (b) assumes any liability with respect to the use of, or for direct or consequential damages resulting from the use of, any information, apparatus, method or process disclosed in this publication; or (c) has any liability for damages that result from any negligent act or omission involved in the preparation of the material. Any implied warranty of merchantability or fitness for a particular use is specifically excluded.

4.4 Drain Plane Installation



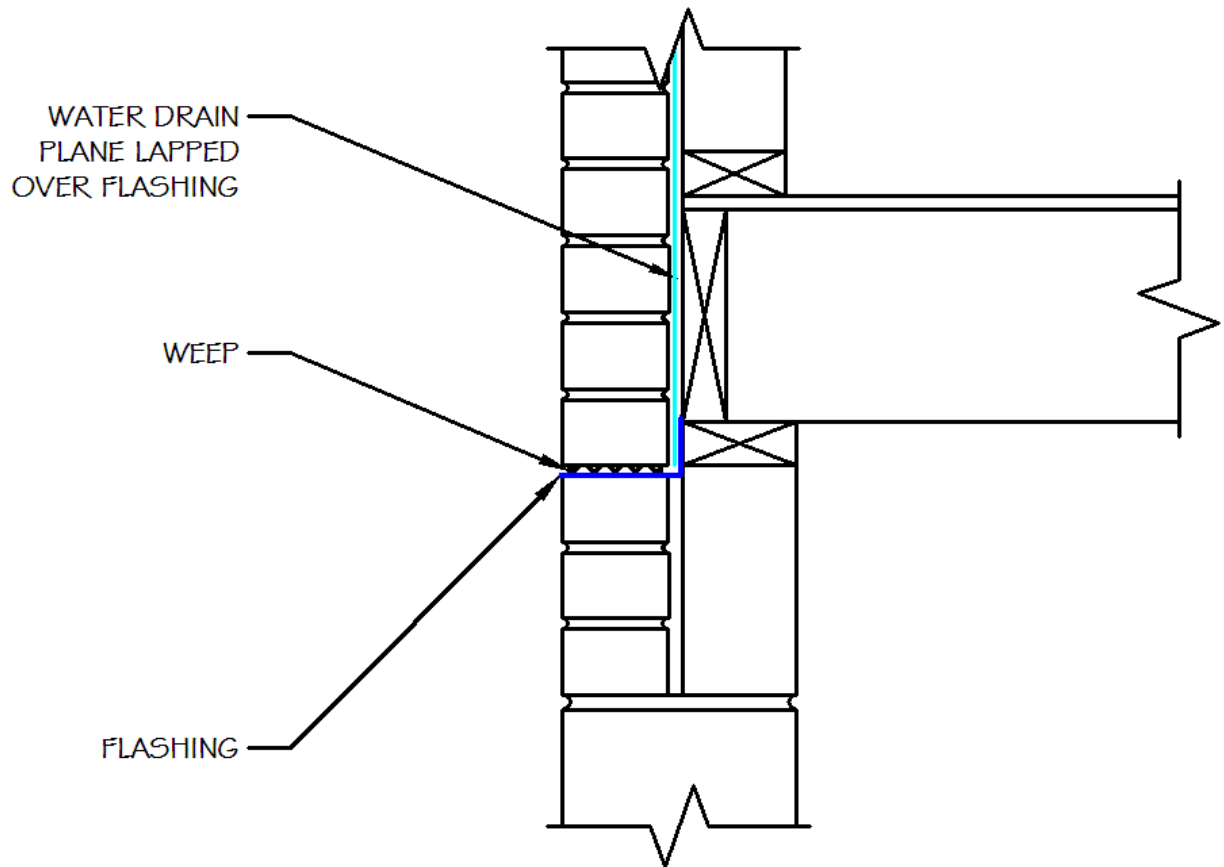
DISCLAIMER: This material was prepared by North Carolina Energy Efficiency Alliance, a nonprofit organization. Neither the NCEEA, its member organizations, the acknowledged individuals, nor any person acting on behalf of them: (a) makes any warranty, express or implied, with respect to the use of any information, apparatus, method or process disclosed in this publication that such use may not infringe privately owned rights; or (b) assumes any liability with respect to the use of, or for direct or consequential damages resulting from the use of, any information, apparatus, method or process disclosed in this publication; or (c) has any liability for damages that result from any negligent act or omission involved in the preparation of the material. Any implied warranty of merchantability or fitness for a particular use is specifically excluded.

4.5 Brick Lintel Flashing



DISCLAIMER: This material was prepared by North Carolina Energy Efficiency Alliance, a nonprofit organization. Neither the NCEEA, its member organizations, the acknowledged individuals, nor any person acting on behalf of them: (a) makes any warranty, express or implied, with respect to the use of any information, apparatus, method or process disclosed in this publication that such use may not infringe privately owned rights; or (b) assumes any liability with respect to the use of, or for direct or consequential damages resulting from the use of, any information, apparatus, method or process disclosed in this publication; or (c) has any liability for damages that result from any negligent act or omission involved in the preparation of the material. Any implied warranty of merchantability or fitness for a particular use is specifically excluded.

4.6 Brick Veneer Weep-hole Installation and Base Flashing



DISCLAIMER: This material was prepared by North Carolina Energy Efficiency Alliance, a nonprofit organization. Neither the NCEEA, its member organizations, the acknowledged individuals, nor any person acting on behalf of them: (a) makes any warranty, express or implied, with respect to the use of any information, apparatus, method or process disclosed in this publication that such use may not infringe privately owned rights; or (b) assumes any liability with respect to the use of, or for direct or consequential damages resulting from the use of, any information, apparatus, method or process disclosed in this publication; or (c) has any liability for damages that result from any negligent act or omission involved in the preparation of the material. Any implied warranty of merchantability or fitness for a particular use is specifically excluded.